



P5.5

w/3-1/2" API Reg Pin

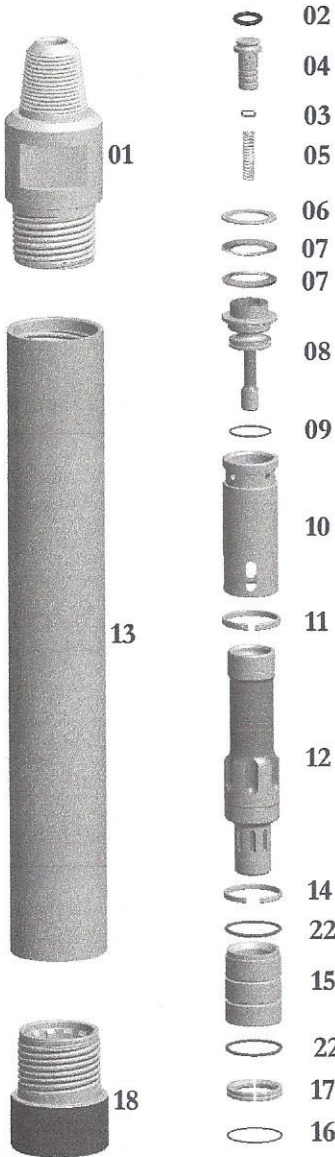
Wt. 153 lbs.

EP5-Hammer-BK

TAKES QL5 SHANKS—NO FOOT VALVE

Thread Change/Pin
Box Thread
Carbide Buttons
Special Flats

**SPECIAL BACKHEAD FEATURES—CALL OFFICE



Replacement Parts

Hmr Part #	Description	Order #	Weight (lbs.)
P5.5-01	Backhead 3-1/2" API REG PIN	EBB5-01	42.0
P5.5-03(S)	Choke Set	EBB6-03(S)	0.3
P5.5-03	Choke - Blank	EBB6-03	0.1
P5.5-03A	1/8" Choke	EBB6-03A	0.1
P5.5-03B	3/16" Choke	EBB6-03B	0.1
P5.5-04	Check Valve Dart w/O-Ring	EBB6-04	1.1
P5.5-02	**Replacement O'Ring for Check Valve Dart**	EBB6-04A	0.1
P5.5-05	Check Valve Dart Spring	EP6-05	0.4
P5.5-06	Spacer	EBB5-06	0.2
P5.5-07	Disc Spring (Uses 2)	EBB5-07	0.3/ea
P5.5-08	Air Distributor w/O-Ring	EBB5-08	9.0
P5.5-09	**Replacement O-Ring for Air Distributor**	EBB5-09	0.1
P5.5-10	Cylinder w/Retainer Ring	EBB5-10	8.0
P5.5-11	**Replacement Retainer Ring for Cylinder**	EBB5-11	0.5
P5.5-12	Piston	EP5-12	36.0
P5.5-13	Wear Sleeve w/Retainer Ring	EP5-13	82.0
P5.5-14	**Replacement Retainer Ring for Wear Sleeve**	EBB5-14	0.2
P5.5-15	Bearing w/ O-Rings	EP5-15	7.0
P5.5-22	**Replacement O-Ring for Bearing (uses 2)**	E6-14	0.2/ea.
P5.5-17	Bit Retainer Ring w/O-Ring	EBB5-17	0.77
P5.5-16	**Replacement O-Ring for Bit Retainer**	EBB5-16	0.1
P5.5-18	Chuck	EBB5-18	12.0
P5.5-18-DM	Chuck - Ductile	EBB5-18-DM	12.0
P5.5-20	Wear Washer (If needed)	EBB5-20	0.1

Outside Diameter		Hammer Length Pin				Hammer Length Box		Bit Size Range	
IN.	MM.	IN.	MM.	IN.	MM.	IN.	MM.	IN.	MM.
P5.5	4-7/8	123.95	41-7/16	1052	45-5/16	1145.6	5-1/4-6	139-149	
Choke Size		200 PSI	13.8 BARS	250 PSI	17.2 BARS	300 PSI	20.7 BARS	350 PSI	24.1 BARS
IN.	MM.								
Blank	Blank	500	14.16	560	15.86	765	21.66	900	25.48
1/8	3.18	520	14.72	598	16.93	813	23.02	950	26.90
3/16	4.76	550	15.57	640	18.12	872	24.69	1022	28.94

The above air charts are based upon ideal conditions, your results may vary.



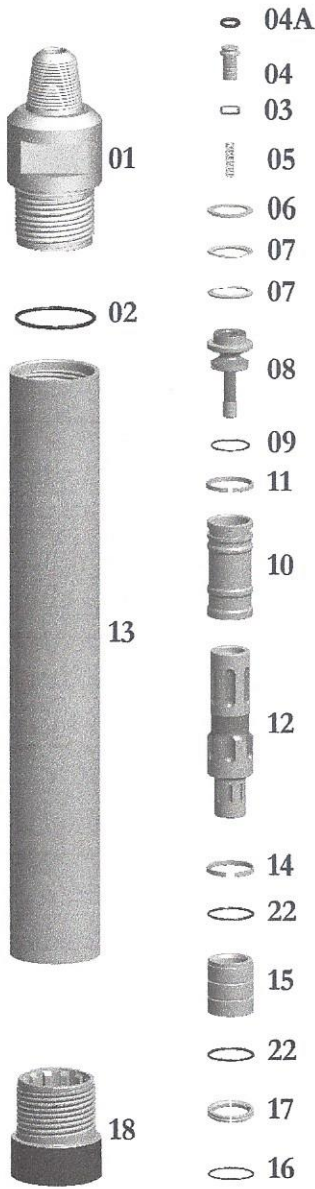
P6-STD Hammer w/3-1/2" API Reg Pin Wt. 206 lbs.

P6-HD Hammer w/3-1/2" API Reg Pin Wt. 234 lbs.

TAKES QL6 SHANKS—NO FOOT VALVE

Thread Change/Pin
Box Thread
Carbide Buttons
Special Flats

**SPECIAL BACKHEAD FEATURES—CALL OFFICE



Replacement Parts

Hmr Part #	Description	Order #	Weight (lbs.)
P6-01	Backhead 3-1/2" API REG PIN w/O-Ring	EBB6-01	45.0
P6-01HD	Backhead HD 3-1/2" API REG PIN w/O-Ring	EBB6-01HD	47.0
P6-02	**Replacement O-Ring for Backhead**	E6-16	0.1
P6-03 (S)	Choke Set	EBB6-03(S)	0.3
P6-03	Choke - Blank	EBB6-03	0.1
P6-03A	1/8" Choke	EBB6-03A	0.1
P6-03B	3/16" Choke	EBB6-03B	0.1
P6-04	Check Valve Dart w/O-Ring	EBB6-04	1.1
P6-04A	**Replacement O'Ring for Check Valve Dart**	EBB6-04A	0.1
P6-05	Check Valve Dart Spring	EP6-05	0.4
P6-06	Spacer	EBB6-06	0.2
P6-07	Disc Spring (Requires 2)	EBB6-07	0.3/ea
P6-08	Air Distributor w/O-Ring	EBB6-08	9.0
P6-09	**Replacement O-Ring for Air Distributor**	EBB6-09	0.1
P6-10	Cylinder w/Retainer Ring	EBB6-10	8.0
P6-11	**Replacement Retainer Ring for Cylinder **	EBB6-11	0.5
P6-12	Piston	EP6-12	48.0
P6-13	Wear Sleeve w/Retainer Ring	EP6-13	72.0
P6-13HD	Wear Sleeve w/Retainer Ring HEAVY DUTY	EP6-13HD	96.0
P6-14	**Replacement Retainer Ring for Wear Sleeve**	EBB6-14	0.2
P6-15	Bearing w/O-Ring	P6-15	10.0
P6-22	**Replacement O-Ring for Bearing** (Uses two)	E6-14	0.2
P6-17	Bit Retainer Ring w/O-Ring	EBB6-17	0.5
P6-16	**Replacement O-Ring for Bit Retainer**	EBB6-09	0.1
P6-18	Chuck	EBB6-18	12.0
P6-18-DM	Chuck - Ductile	EBB6-18-STD-DM	12.0
P6-18HD	Chuck HEAVY DUTY	EBB6-18HD	14.0
P6-18HD-DM	Chuck - Ductile - HEAVY DUTY	EBB6-18HD-DM	14.0
P6-20	Wear Washer (If needed)	EBB6-20	0.2
P6-21	Break Out Ring (Optional)	EBB6-21	0.5

		Outside Diameter		Hammer Length Pin		Hammer Length Box		Bit Size Range	
		IN.	MM.	IN.	MM.	IN.	MM.	IN.	MM.
P6		5-1/2	139.7	43-1/2	1105	47-3/8	1200	6-10	153-254
P6 HD		5 3/4	146.0	43-1/2	1105	47-3/8	1200	6-1/2-10	165-254
Choke Size		200 PSI	13.8 BARS	250 PSI	17.2 BARS	300 PSI	20.7 BARS	350 PSI	24.1 BARS
IN.	MM.								
Blank	Blank	542	15.35	760	21.52	840	23.78	950	26.90
1/8	3.18	569	16.11	800	22.65	888	25.14	1000	28.31
3/16	4.76	597	16.90	848	24.01	946	26.78	1072	30.35

The above air charts are based upon ideal conditions, your results may vary.