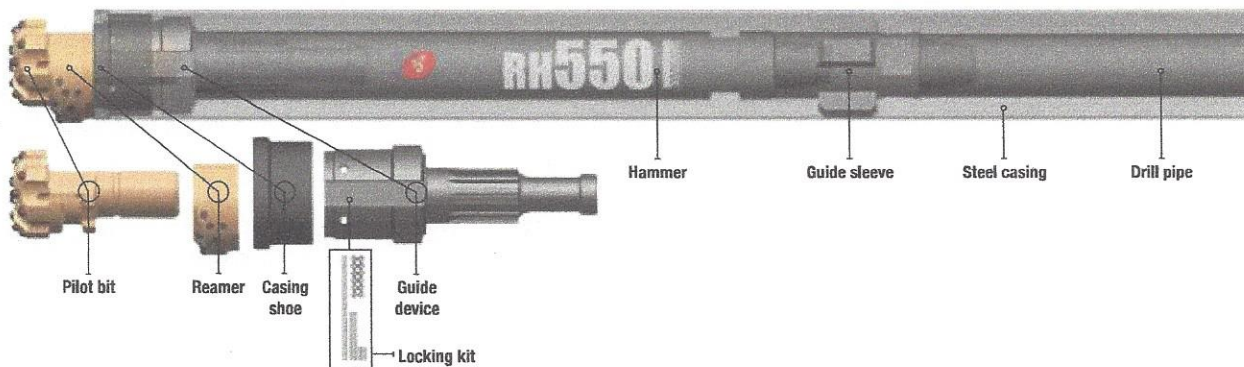
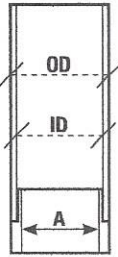


# Sandvik Tubex systems



## Tubex product range

Tubex type	Casing, recom. size (mm)		Min. wall thickness (mm)	Max. drill bit diameter (mm) A	Reaming diameter (mm)
	Max. OD	Min. ID			
90	115	102	5	90	123
115	142	128	5	115	152
140	171	157	5	140	187
165	196	183	5,5	165	212
180	219	194	6,3	180	232
190	222	205	6,3	190	237
240	273	260	6,3	240	306
280	327	305	7,1	280	370



## Tubex XL-90

Part	Description	Weight (kg)	Weight (lb)	Part no.
Guide device	M30	7	16	80-3A00-090D
Guide device	DHD 3.5 (Foot valve, 47-24017)	7	16	80-2400-090D
Pilot bit	1/8, 12/12, CV, DP65	3,6	7,9	81-090B-090A65
Eccentric reamer		1,4	3,0	82-090B-123W65
Casing shoe		1,1	2,4	84-090D-00
Stabilizer	2 3/8" Box & pin API reg.; wrench flat - 65 mm	6	13	7989-2999
Locking kit				85-090-KT

## Tubex XL-115

Guide device	M40	12	27	80-4800-115D
Guide device	DHD 340 (Foot valve, 47-36017)	12	27	80-3600-115D
Guide device	QL 40 (Foot valve, 47-43017)	12	27	80-4300-115D
Pilot bit	2/8, 14/14, CV, DP65	8	17	81-115A-115A65
Eccentric reamer		2,6	5,7	82-115A-152W65
Casing shoe		1,6	3,5	84-115D-00
Stabilizer	2 3/8" Box & pin API reg.; wrench flat - 65 mm	8,3	18,3	7989-1627
Locking kit				85-115A-KT

# Sandvik Tubex systems

## Tubex XL-140

Part	Description	Weight (kg)	Weight (lb)	Part no.
Guide device	M50	22	49	80-5800-140D
Guide device	Silverdril SD 5 (Foot valve, 47-51017)	21	15	80-5100-140D
Guide device	DHD 350 (Foot valve, 47-69037)	21	15	80-6900-140D
Guide device	QL 50 (Foot valve, 47-55017)	21	15	80-5500-140D
Pilot bit	2/8, 14/14, CV, DP65	11	24	81-140A-140A65
Eccentric reamer	189 mm reaming diameter	4	9	82-140A-189W65
Casing shoe		2,4	5.3	84-140D-00
Stabilizer	2 3/8" Box & pin API reg.; wrench flat - 65 mm	9	19.8	7989-1451
Stabilizer	3 1/2" Box & pin API reg.; wrench flat - 95 mm	16,4	36.1	7989-1452
Locking kit				85-140A-KT

## Tubex XL-165

Guide device	M60	34	74	80-6800-165D
Guide device	Silverdril SD 6 (Foot valve, 47-61017)	36	79	80-6100-165D
Guide device	DHD 360 (Foot valve, 47-73017-1)	34	74	80-7300-165D
Guide device	QL 60 (Foot valve, 47-76017)	34	74	80-7600-165D
Pilot bit	2/8, 16/16, CV, DP65	17	38	81-165A-165A65
Eccentric reamer		7	15	82-165A-212W65
Casing shoe		3,2	7	84-165D-00
Stabilizer	3 1/2" Box & pin API reg.; wrench flat - 95 mm	22	47	7989-1777
Locking kit				85-165A-KT

## Tubex XL-180

Guide device	Silverdril SD 6 (Foot valve, 47-61017)	44	97	80-6100-180D
Guide device	DHD 360 (Foot valve, 47-73017-1)	44	97	80-7300-180D
Pilot bit	2/8, 16/16, CV, DP65	24	52	81-180A-180A65
Eccentric reamer		10	22	82-180A-232W65
Casing shoe		4	9	84-180D-00
Stabilizer	3 1/2" Box & pin API reg.	25	55	7989-2389
Locking kit				85-180A-KT

## Tubex XL-190

Guide device	M60	40	88	80-6800-190D
Guide device	Silverdril SD 6 (Foot valve, 47-61017)	44	97	80-6100-190D
Guide device	Silverdril SD 8 (Foot valve, 47-81017)	47	103	80-8100-190D
Guide device	QL 60 (Foot valve, 47-76017)	44	97	80-7600-190D
Guide device	DHD 360 (Foot valve, 47-73017-1)	44	97	80-7300-190D
Pilot bit	3/8, 16/16, CV, DP65	29	64	81-190A-190A65
Eccentric reamer		10	22	82-190A-237W65
Casing shoe		4,1	9	84-190D-00
Stabilizer	3 1/2" Box & pin API reg.	25	55	7989-3100
Locking kit				85-190A-KT

# Sandvik Tubex systems

<b>Tubex XL-240</b>				
Part	Description	Weight (kg)	Weight (lb)	Part no.
Guide device	M80	67	148	80-8800-240D
Guide device	Silverdril SD 8 (Foot valve, 47-81017)	67	148	80-8100-240D
Guide device	DHD 380 (Foot valve, 47-87017)	67	148	80-8700-240D
Pilot bit	2/12, 16/16, CV, DP65	46	102	81-240B-240A65
Eccentric reamer		18	39	82-240B-308W65
Casing shoe		7	15	84-240A-00
Stabilizer	4 1/2" Box & pin API reg.; wrench flat - 114 mm	40	89	7989-2255
Locking kit				85-240A-KT
<b>Tubex XL-280</b>				
Guide device	Silverdril SD 10 (Foot valve, 47-10017)	160	353	80-1000-280D
Pilot bit	3/12, 18/18, CV, DP65	88	194	81-280A-280A65
Eccentric reamer		43	95	82-280A-378W65
Casing shoe		15	33	84-280A-00
Locking kit		1,5	3.3	85-280A-KT